

INSTALLING

Installing Lower Discharge Chute (42 and 48 in. Cut and Throw Mower Decks)

NOTE: The mulch plate, if installed, must be removed before installing the bagger discharge chute.

1. Raise and hold plastic discharge chute on mower deck.

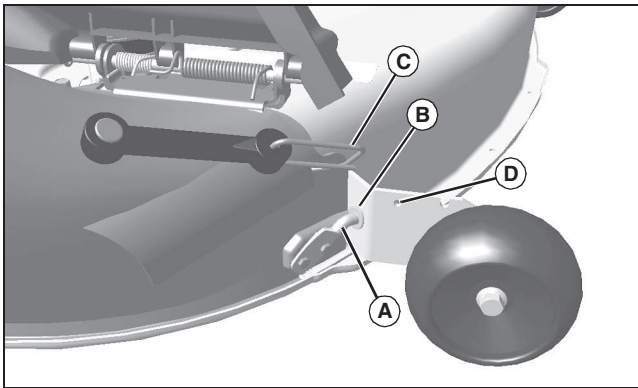
NOTE: To raise inner metal deflector, pull outward at rear of deflector then pull up.

2. Raise inner metal deflector, and position lower bagger discharge chute in front of mower deck discharge opening.



CAUTION: Avoid injury! Prevent possible thrown objects. The discharge chute assembly must fit tight against the chute hinge bracket and completely cover the mower deck discharge opening.

NOTE: Bagger discharge chute must fit on the outside of the mower deck discharge opening.

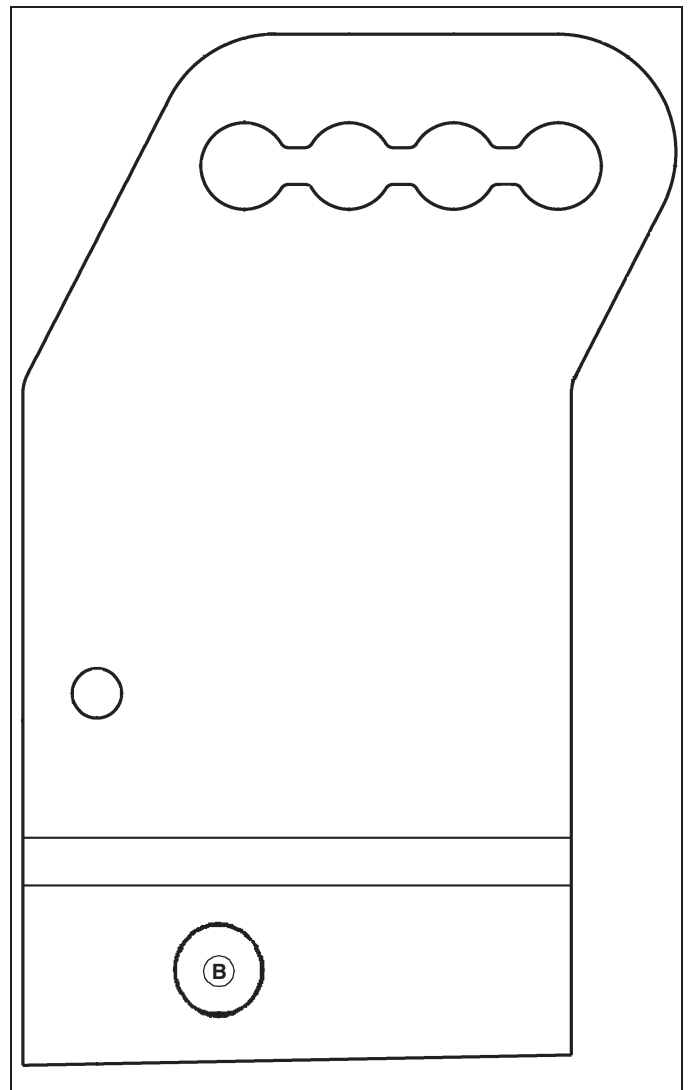


MX38676

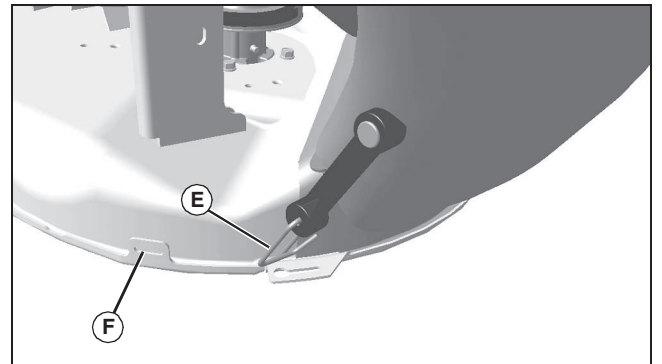
3. At the front of the discharge opening, slide pin (A) through hole (B) in gage wheel bracket.

4. Hook front rubber strap hook (C) over the top of the gage wheel bracket and insert through hole (D).

NOTE: If your mower deck does not have the 12.7 mm (1/2 in.) hole (B) in gage wheel bracket, cut out and use template below to mark and drill a 12.7 mm (1/2 in.) hole (B) into gage wheel bracket. This hole is necessary to mount the front of the discharge chute.



MX38729



MX38675

5. Rotate rear side of lower discharge chute toward mower deck, and insert rear strap hook (E) on discharge chute into slot (F) on deck.